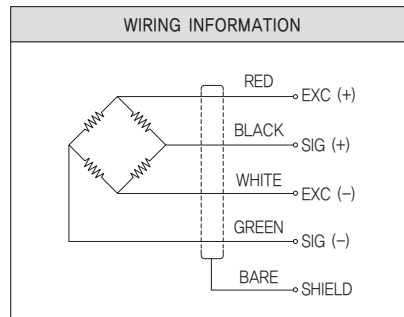
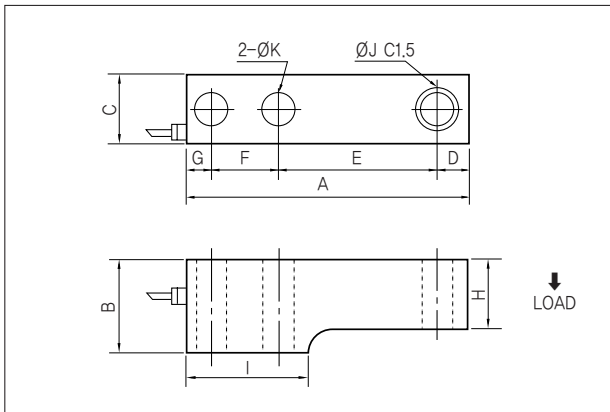
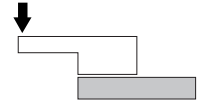


PLATFORM SCALE LOAD CELLS

> Model CP, CP57

A compact and low cost, shear type compression load cell. It is a comparatively low cost shear type transducers with a high accuracy of 0.02% R.O. Platform and Tank scale weighing.
Protection Class IP67



> SPECIFICATIONS

Specifications	Accuracy
Rated capacity(R.C)	50kgf, 100kgf, 150kgf, 300kgf, 500kgf, 1tf, 2tf, 3tf, 5tf, 6tf, 10tf, 12tf (490.3N, 980.7N, 1,471kN, 2,942kN, 4,903kN, 9,807kN, 19,61kN, 29,42kN, 49,03kN, 58,84kN, 98,07kN, 117,7kN)
Rated output(R.O)	2mV/V±0.1%
Nonlinearity	0.02% of R.O.
Hysteresis	0.02% of R.O.
Repeatability	0.02% of R.O.
Creep(20min)	0.03% of R.O.
Zero balance	±5% of R.O.
Temperature effect, on rated output	0.02% of LOAD/10°C
Temperature effect, on zero balance	0.05% of R.O./10°C
Temperature range, compensated	-10~50°C
Temperature range, safe	-20~80°C
Terminal resistance input	350±30Ω
Terminal resistance output	350±3Ω
Insulation resistance bridge	2000MΩ
Excitation recommended	10V
Safe overload	150% R.C.
Cable length	50kgf~6tf : Ø5±0.3mm 4core, 3m / 10tf~12tf : Ø7±0.3mm 4core, 3m

> DIMENSIONS TABLE

unit:mm

Model	Capacity	A	B	C	D	E	F	G	H	I	ØJ	ØK	Weight(kg)
CP	50kgf~300kgf (490.3N~2,942kN)	135	36	26	17	75	25	18	32	58	11.5	11.5	0.5
	500kgf~2tf (4,90kN~19,61kN)	135	38	30	17	75	25	18	34	58	13.5	13.5	1.1
	3tf~5tf (29,42kN~49,03kN)	170	48	38	20	85	50	15	39	79	18.5	18.5	2.3
	6tf (58,84kN)	203	48	50	23	95	62	23	39	110	24.5	24.5	3.5
	10tf~12tf (98,07kN)	263	60	60	30	118	90	25	52	143	26	26	9
CP57	500kgf~2tf (4,90kN~19,61kN)	131	38	30	12.7	76.2	25.4	16.7	34	57	13.5	13.5	1.1
	3tf~5tf (29,42kN~49,03kN)	171	44.5	38	19	95	38	19	38	76.2	20.5	20	2.3
	10tf (98,07kN)	222.3	57.2	50.8	25.4	120.7	50.8	25.4	50.8	108	26.2	26.2	9

★Specifications are subject to change without notice.