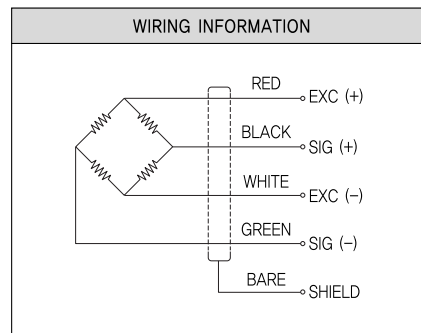
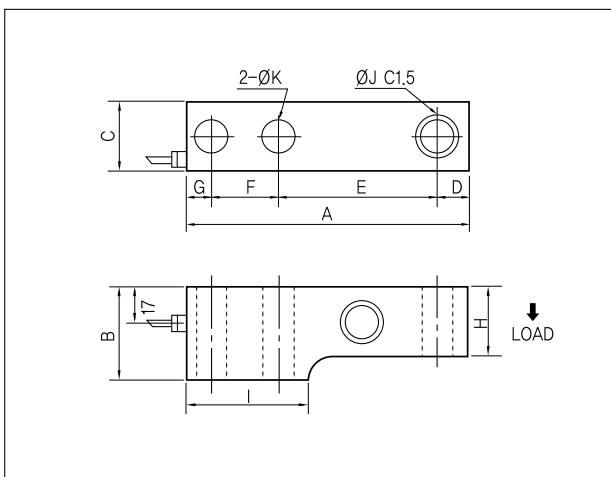
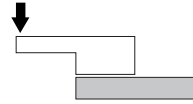


PLATFORM SCALE LOAD CELL

> Model CPS

- It is a comparatively low cost beam loadcell with a high accuracy of 0.03% R.O.
- Platform and Tank scale weighing.
- Protection Class IP67
- 17-4PH stainless steel construction for high accuracy.
- Fully welded seal with stainless steel cover for hostile environment applications.



> SPECIFICATIONS

Specifications	Accuracy
Rated capacity(R.C)	500kgf, 1tf, 2tf, 3tf, 5tf, 9tf, 10tf, 12tf (4.903kN, 9.807kN, 19.61kN, 29.42kN, 49.0kN, 88.26kN, 98.07kN, 117.7kN)
Rated output(R.O)	2mV/V±0.1%
Nonlinearity	0.03% of R.O.
Hysteresis	0.03% of R.O.
Repeatability	0.25% of R.O.
Creep(20min)	0.03% of R.O.
Zero balance	±5% of R.O.
Temperature effect, on rated output	0.02% of LOAD/10°C
Temperature effect, on zero balance	0.05% of R.O./10°C
Temperature range, compensated	-10~50°C
Temperature range, safe	-20~80°C
Terminal resistance input	350±30Ω
Terminal resistance output	350±3Ω
Insulation resistance bridge	2000MΩ
Excitation recommended	10V
Safe overload	150% R.C.
Cable length	Ø5±0.3mm 4core, 3m

> DIMENSIONS TABLE

unit:mm

Capacity	A	B	C	D	E	F	G	H	I	ØJ	ØK	Weight(kg)
500kgf~2tf (4.903kN~19.61kN)	135	38	30	17	75	25	18	34	58	13.5	13.5	1.1
3tf~5tf (29.42kN~49.03kN)	170	48	38	20	85	50	15	39	79	18	18.5	2.3
9tf (88.26kN)	200	52	56	20	95	62	23	44	110	21	24.5	5
10tf~12tf (98.07kN~117.1kN)	263	60	60	30	118	90	25	52	143	26	26	9

★Specifications are subject to change without notice.