

HIGH SPEED DIGITAL INDICATOR

> Model DN-50W, DN-40W

The DN-50W, DN-40W have designed specifically to operate with strain gauge sensors such as Fast - measurement of Load cell, Pressure Transducer, LVDT, etc. The setup sequence is simple and quick using four push buttons only. And comparison output are available.

- ※ Sampling speed : Appir. 1000Times Per Second
- DN-40W : Analog output : Dynamic Output
- DN-50W : Analog output : DAC Output



> SPECIFICATIONS

Specifications	Accuracy
Application sensor	Strain gauge sensor (350Ω or 120Ω)
Sensor authorized voltage (the number of Loadcell connection)	DC 5V, Loadcell(350Ω) available 4
Zero adjustment range	100%F · S (Auto Zero)
Input signal	0.5 ~ 3.0mV/V
AD converter	24bit 1000times/sec
DA converter	16bit 1000 times/sec
Display	-19999 ~ +99999
Display speed	Approx. 32times/sec
Character height	7Segment 14mm
Decimal point	Random setting available
Sampling speed	Max 1000 times/sec
Zero variation	within 0.5μV/°C
Sensitivity variation	50ppm/°C
Voltage output	0 ~ 10V (O. 4~20mA in accordance with customer request)
Usage temperature range	-10°C ~ 60°C
Humidity	less than 80% RH (no dew condensation)
Power source used	AC 85 ~ 265V 50/60Hz
Relay output	Contact capacity : AC250/5A Relay life time : more than 5,000,000 times

Feature

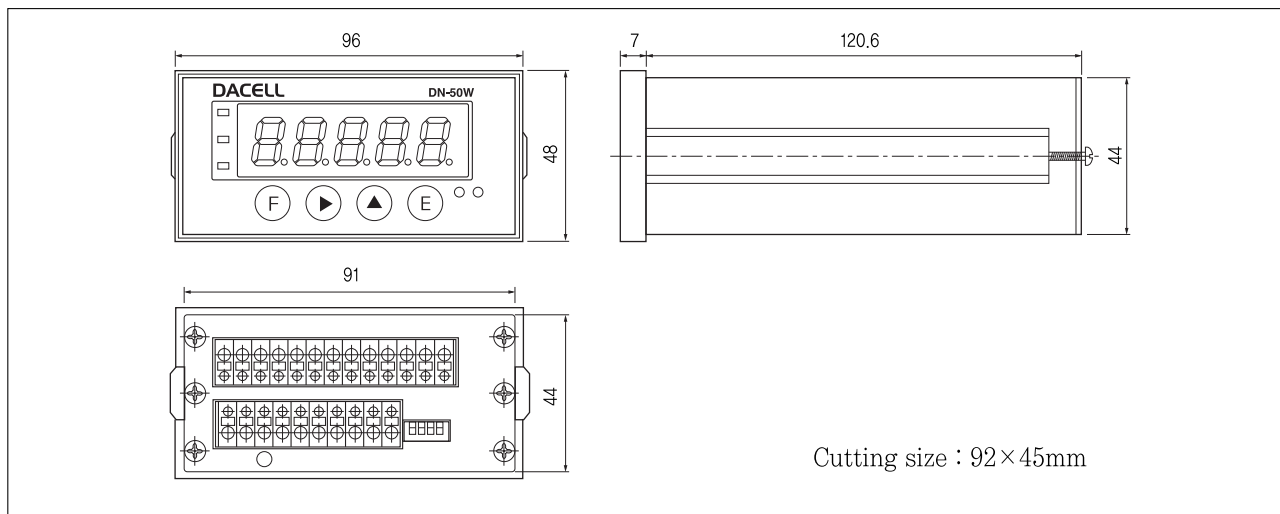
- High resolution (24bit ADC, 16bit DAC)
- High precision (more than 0.01% F.S) and stability
- Quick sampling speed (1000times/sec)
- Relay output : Hi, Low, NG, OK.
- UNIT CONVERSION : kg, N, lb, kg/cm², bar, MPa
- Display part and analogue zero by auto zero
- Analog Peak Hold
- Small Size (96 × 48 × 128mm)
- Peak & sample hold
- Watch dog

■ OPTION

- OP-01 : BCD paralle out
- OP-02 : RS232C serial interface
- OP-03 : RS485 Multi drop interface
- OP-05 : Input signal 5mV/V (DLH-A)
- OP-06 : Power 24VDC

> DIMENSIONS

unit:mm



★Specifications are subject to change without notice.