

SD07

Signal Indicator for wall type



APPLICATIONS

Features

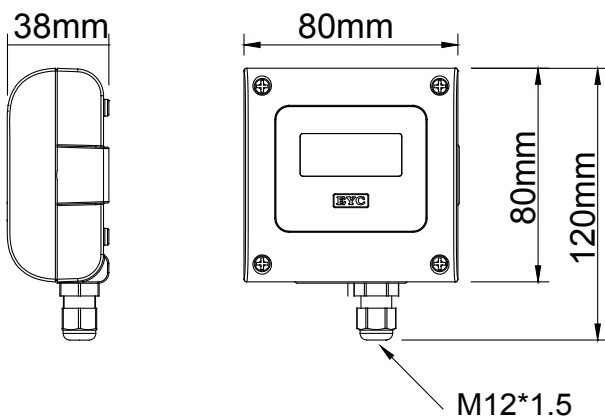
- Double lines - 4 digits LCD display with back light.
- Display various physical quantity unit.
- The reading is programmable.
- Suitable for the industrial on-site application.

Applications

With extensive applications as process monitoring in semiconductor industry, steel industry, food processing, pharmaceutical industry, water plants, power plants research, etc.

SD07 -	2	1	1 -	01	02
Installation	Display type	Input	Power Supply	CH1 display unit	CH2 display unit
07 : wall type	2: LCD	1: 4-20mA 2: 0-20mA 4: 0-5V 5: 1-5V 6: 0-10V	1: 24 VDC ± 10%	00: N/A 01: °C 02: % 03: m/s 04: ppm 05: bar	00: N/A 01: °C 02: % 03: m/s 04: ppm 05: bar

DIMENSION



TECHNICAL SHEET

INPUT

Input 0~20mA / 4~20mA / 0-5V / 1-5V / 0-10V
Physical quantity unit (3-digit)

Temperature(°C) / humidity(%) / Pressure(bar) / Flow(m/s) / Gas(ppm)

OUTPUT

Display type LCD module with back light,

single or double line character

Display range -1999~+9999

Digit 0~3 unit

Height of character 5.56mm

Connection of signal 3-wire loop

Linear accuracy ±0.2%

Load resistance 4~20mA < 500Ω / 0~10V ≥ 10KΩ

ENVIRONMENT

Working temperature 0 ~ 50 °C

Working humidity 0 ~ 95 % (non-cond.)

Storage temperature -25 ~ +60°C

ELECTRICAL REGULATION

Power supply 24VDC ± 10%

Electrical connection ... 6P connector & M12 cable steel filter

Installation wall type

PROTECTION

Protection degree IP : 65

Electrical protection Polarity protection; Over-voltage

Certification CE

Housing PC fire-proof class

Option DIN - rail type

Weight 135g

CONNECTION DIAGRAM

