

THS07

3-wire temperature & humidity transmitter for probe type



APPLICATIONS

Feature

- Compact design and easy to install.
- An economical choice, high C/P ratio.
- Industrial class sensor comes with high accuracy and long-term stability.

Application

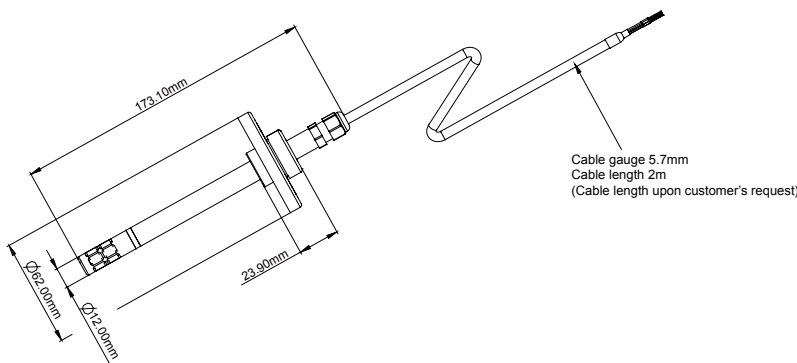
- Monitoring for HVAC process/ air conditioning/ environmental ventilation control.
- Environmental monitoring for building/ factory/ clean room/ Lab.
- Monitoring for storeroom/ crisper/ agriculture/ food industry.
- Temperature and humidity measuring in machinery equipment.



THS **07** - **A** **J** **1** - **P2** **00** - **2**

Installation	Function	Output	Power Supply	Temperature Range	Humidity Range	Option
07 : probe type	A : temperature/humidity output	J : 0-10V(H) & RTD(T)	1 : 24VDC±20%	P2 : PT100 NT : NTC10K	00 : 0~100%..	2 : 2 m cable

DIMENSION



TECHNICAL SHEET

Input
 Input CapacitiveHumiditySensor&PT100Ω
 Measurement range temperature: PT100;humidity: 0~100%
 Max working range ... temperature0~50°C ; humidity:5~95%
 Recommended working range
 temperature15~35°C ; humidity:20~80%

Output
 Output Humidity:0~10V / Temperature:RTD
 Signal connection3-Wire

Accuracy
 Temperature ±0.3°C+0.002°Cxtactual
 Humidity ±3%RH(30~70%) of F.S. ,at +25°C
 ±5%RH(20%~80%) of F.S. ,at+ 15~35°C
 Temperature influence 0.2% RH/°C

Load resistance ≥ 10KΩ
 Output calibration (ZERO)adjustment degree
 10% of zero-point and full-range
 Response time(≥ 1m/s) < 20S

Environment
 Media air
 Working environment temperature 0 ~+50°C
 Storage temperature -5~+60°C
 Max. flow speed ≤ 15m/sec

Electrical Protection
 Power supply 24VDC±20%
 Consumption current 19mA(3-wire)
 Electrical connection PVC cable 0.32mm²*6C
 Installation flange installation
 Protection degreeIP24
 Electrical protection

■Polarity protection■over-voltage■short circuit
 Housing PC fire-proof class
 Cable PVC
 Weight 17g(without cable)

CONNECTION DIAGRAM

