

MaxWell

Three Phase Solid State Relay

MS-3DA Series
MS-3AA Series

DC to AC type
AC to AC type

A Wide Range of models with 10 to 120A Output currents
Up to 1200VAC output Voltages

- All models with the same universal standard size
- Operation indicator (red LED) enables monitoring operation
- Protective cover for greater safety
- Built-in RC Snubber
- Fast response and robust
- Zero cross function
- No noise during the operation
- Chassis mount



Ordering Information(DC control AC type)

MS-3DA
1 2 3

Section 1: Basic Model Name

MS-3DA: Maxwell 3 phase SSR(DC to AC type)

Section 2: Rated Load Voltage

38: 380VAC
48: 480VAC
120: 1200VAC

Section 3: Rated Load Current

10: 10A
25: 25A
40: 40A
60: 60A
80: 80A
100: 100A
120: 120A
150: 120A
200: 120A

▲ MS-3DA3825: Three phase DC to AC SSR(25A load 380VAC)

Ordering Information(AC control AC type)

MS-3AA
1 2 3

Section 1: Basic Model Name

MS-3AA: Maxwell 3 phase SSR(AC to AC type)

Section 2: Rated Load Voltage

38: 380VAC
48: 480VAC
66: 660VAC
120: 1200VAC

Section 3: Rated Load Current

10: 10A
25: 25A
40: 40A
60: 60A
80: 80A
100: 100A
120: 120A
150: 120A
200: 120A

▲ MS-3AA3825: Three phase AA to AC SSR(25A load 380VAC)

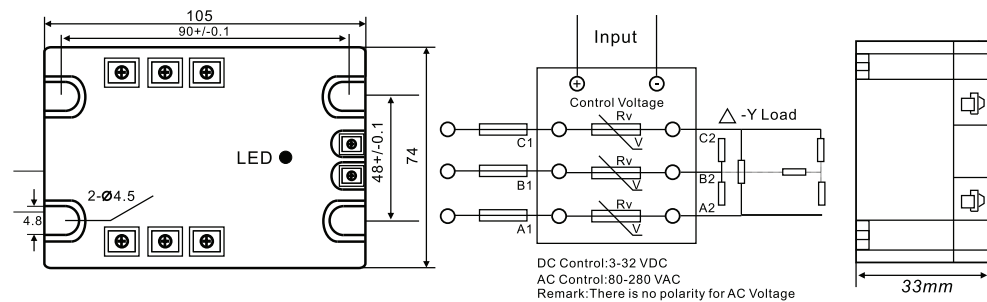
Specifications(DC to AC)

Load Voltage	380V / 480V / 1200V
Control Voltage	3-32V DC
Control Current	10-68mA
On Voltage Drop	≤1.8V
Off-leakage Current	≤10mA
On-off Time	≤10mS
Dielectric Strength	2500V AC
Insulation Resistance	1000MΩ/2500VDC
Ambient Temperature	-30°C~+75°C
Mounting	Chassis mount
Indicator	LED
Weight	0.3KG

Specifications(AC to AC)

Load Voltage	380V / 480V / 660V / 1200V
Control Voltage	70~280VAC
Control Current	≤12mA
On Voltage Drop	≤1.8V
Off-leakage Current	≤10mA
On-off Time	≤10mS
Dielectric Strength	2500V AC
Insulation Resistance	1000MΩ/2500VDC
Ambient Temperature	-30°C~+75°C
Mounting	Chassis mount
Indicator	LED
Weight	450g

Wiring and Dimensions



Temperature Controller/Solid State Relay/Rotary Encoder